

Hydrofilter

by smir

A collaboration between Smir and Focus Engineering has resulted in a drum filter with hygienic and robust technical design. A stainless-steel drum construction secures a durable product built to last in tough conditions. Full opening and sliding top cover gives easy access for a operator and saves cleaning time.

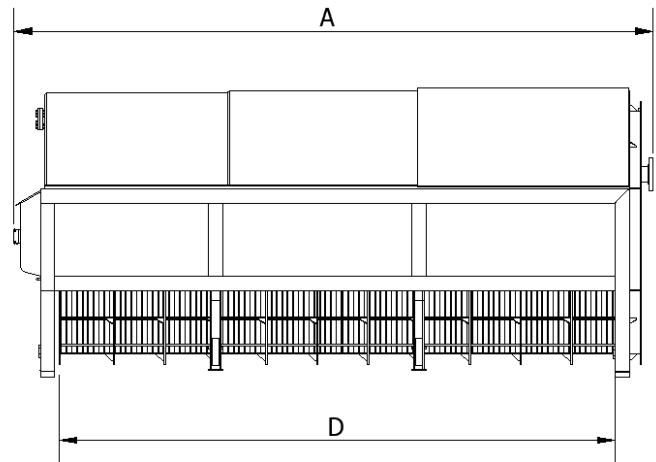
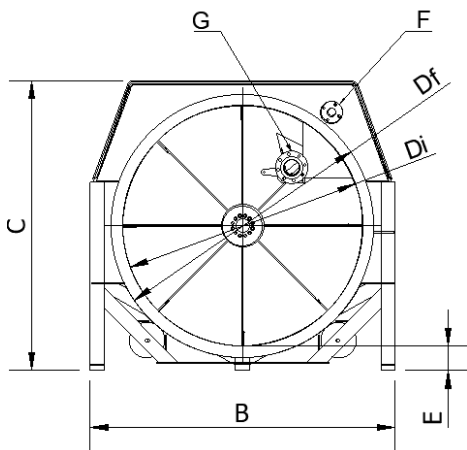
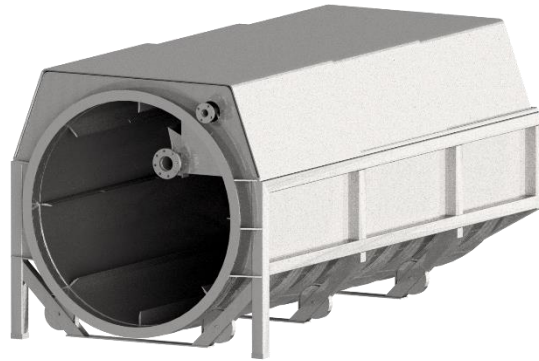


smir

Fish
Welfare
Innovation

Sentrumsveien 10
N-7160 Bjugn
post@smir.no
+47 924 34 554

smir.no



MODEL	MICRON	CAPACITY m3/h*	No of Rollers	A	B	C	D	Di	Df	E	F - Backwash	G - Residue	DRY WEIGHT	WET WEIGHT**
TF5217	100	4160	8	5725	2160	2064	5200	1700	1860	175	DN50	DN100	3960 kg	9860 kg
TF5217	150	5900	8	5725	2160	2064	5200	1700	1860	175	DN50	DN100	3920 kg	9820 kg
TF4017	100	3200	6	4525	2160	2064	4000	1700	1860	175	DN50	DN100	3130 kg	7800 kg
TF4017	150	4600	6	4525	2160	2064	4000	1700	1860	175	DN50	DN100	3100 kg	7770 kg
TF2817	100	2240	4	3335	2160	2064	2800	1700	1860	175	DN50	DN100	2365 kg	5550 kg
TF2817	150	3300	4	3335	2160	2064	2800	1700	1860	175	DN50	DN100	2345 kg	5530 kg

* Nominal capacity

** Estimate with half filled drum

- Construction: Heavy Duty AISI316L Stainless steel
- Service: Full access to drum inside, sliding top covers
- Design: Open version for installation in a closed framework built around the filter (filter pool).
- Filtration: From inside to out (FITO)
- Drum support: Wheels with ball bearings
- Operation: Gear/Electrical motor 2,2kW, frequency drive, Coated OS4-01802_94
- Backwash pump: 25m3/h@10bar 12,8kW, frequency drive

We reserve the right to change any specifications without any notice.